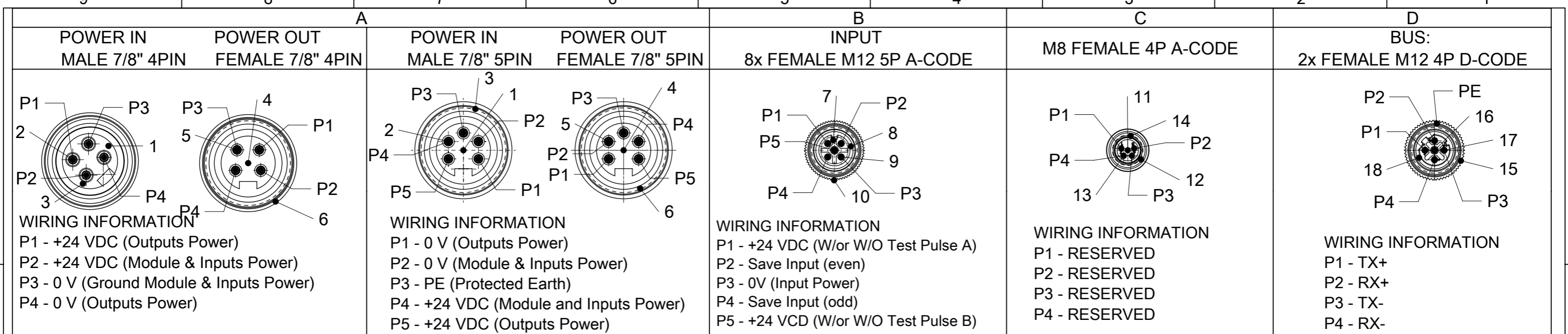


SCALE 1:2

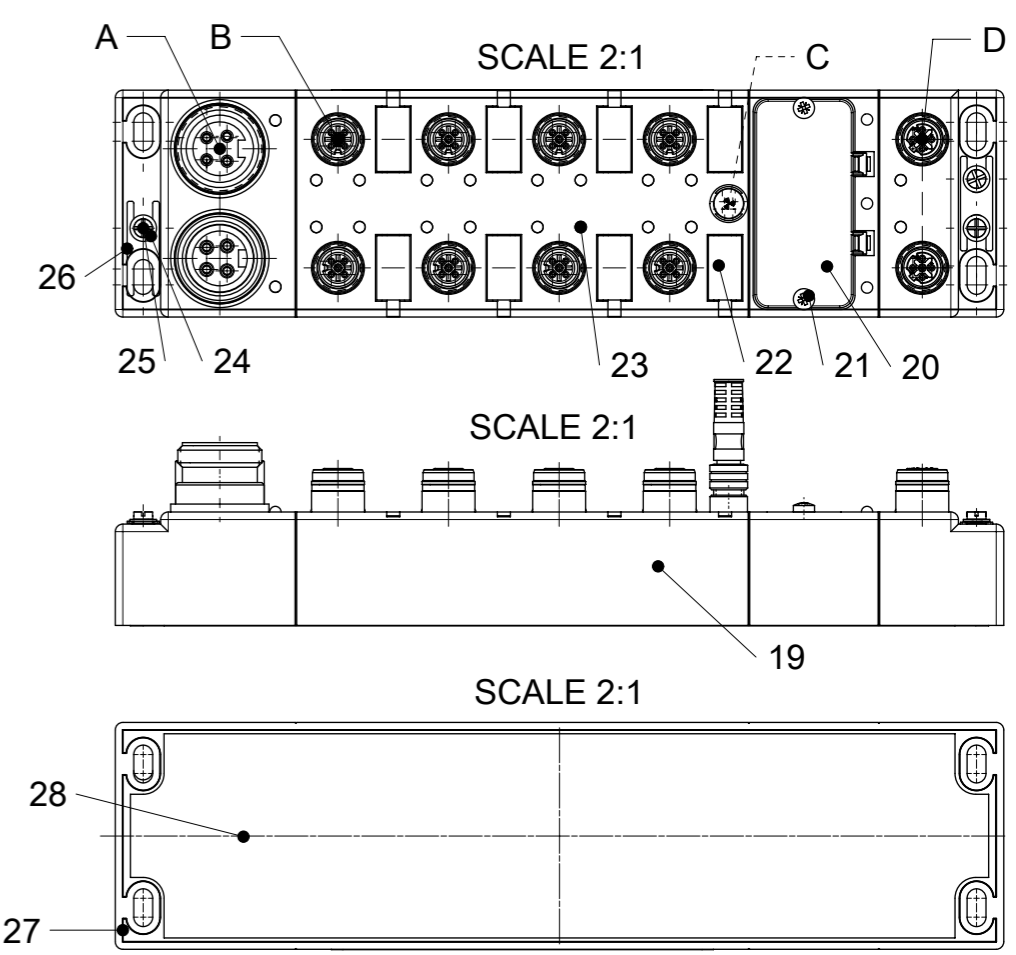
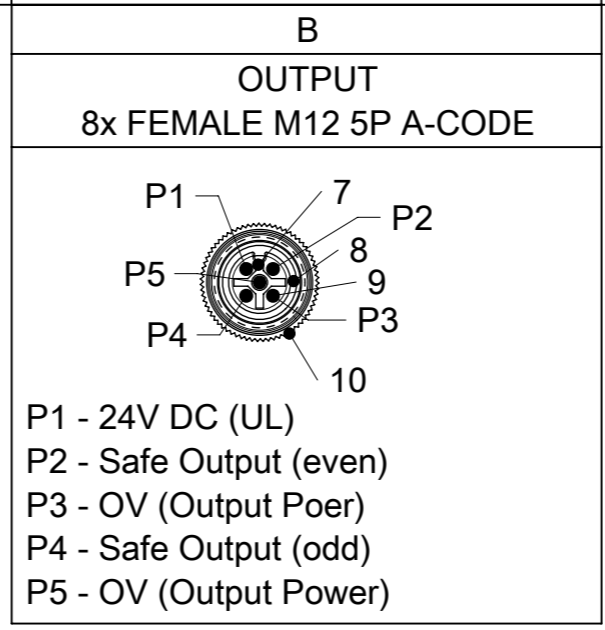
THIS DRAWING CONTAINS INFORMATION THAT IS PROPRIETARY TO MOLEX INCORPORATED AND SHOULD NOT BE USED WITHOUT WRITTEN PERMISSION

EC DESCRIPTION EC NO: 108385 DRWN: ULETTENMEIER 2016/09/13 CHK'D: APPR: RSILLER 2016/09/14	QUALITY SYMBOLS	GENERAL TOLERANCES (UNLESS SPECIFIED) ANGULAR TOL ± ° 4 PLACES ± 3 PLACES ± 2 PLACES ± 1 PLACE ± 0 PLACES ± 0.1 DRAFT WHERE APPLICABLE MUST REMAIN WITHIN DIMENSIONS	DIMENSION UNITS	SCALE			
	▽ = 0 ▽ = 0 ▽ = 0 ▼ = 0 ▽ = 0 ☒ = 0 ■ = 0 ▽ = 0		MM	1:1			
	REV		DRWN BY ULETTENMEIER CHK'D BY DATE 2015/02/09	DATE	DBO HARSH IO SAFETY 60/30 MM 7/8" 4P AC MA FE U12 5P 8PT AC FE U12 4P 2PT BC FE		
	A2		APPR BY RSILLER DATE 2015/11/13	DATE			
DRAWING SIZE		THIRD ANGLE PROJECTION		PRODUCT CUSTOMER DRAWING			
A3				SERIES	MATERIAL NUMBER	CUSTOMER	
				112095	SEE TABLE 1	GENERAL MARKET	
				DOCUMENT NUMBER	DOC TYPE	DOC PART	SHEET NUMBER
				1120955087	PSD	000	1 OF 3



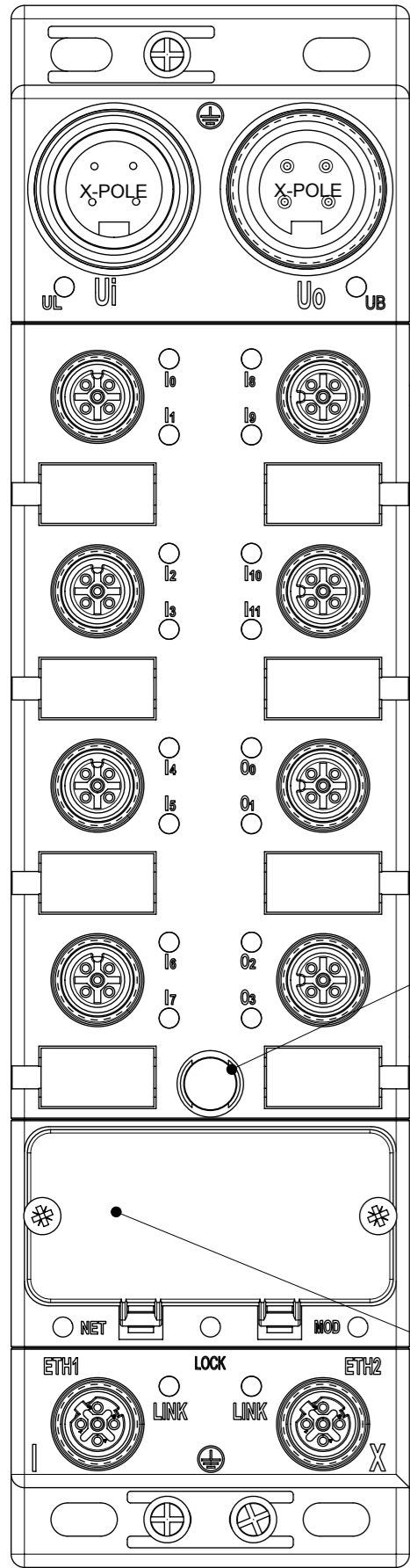
BILL OF MATERIAL

ITEM	DESCRIPTION	MATERIAL	FINISH
1	INSERT	TPE	YELLOW
2	CONTACT	COPPER ALLOY	GOLD OVER NICKEL
3	SHELL	BRASS	NICKEL PLATET
4	INSERT	TPE	YELLOW
5	CONTACT	COPPER ALLOY	GOLD OVER NICKEL
6	SHELL	BRASS	NICKEL PLATET
7	INSERT	TPU	BLACK
8	GASKET	FPM	RED
9	CONTACT	COPPER ALLOY	GOLD OVER NICKEL
10	SHELL	BRASS	NICKEL PLATET
11	INSERT	TPU	BLACK
12	SHELL	BRASS	NICKEL PLATET
13	CONTACT	COPPER ALLOY	GOLD OVER NICKEL
14	GASKET	FPM	RED
15	SHELL	BRASS	NICKEL PLATET
16	INSERT	TPU	BLACK
17	CONTACT	COPPER ALLOY	GOLD OVER NICKEL
18	GASKET	FPM	RED
19	HOUSING	PBT	RED
20	WINDOW	PC	TRANSPARENT
21	SCREW	V2A	V2A
22	LABEL	PC	WHITE
23	FIBER OPTIC	PA	TRANSPARENT
24	WASHER	BRASS	NICKEL PLATET
25	SCREW	V2A	V2A
26	SHIELD PLATE	STAINLESS STEEL	STAINLESS STEEL
27	RESIN	EPOXY	TRANSPARENT
28	LABEL	PVC	WHITE



THIS DRAWING CONTAINS INFORMATION THAT IS PROPRIETARY TO MOLEX INCORPORATED AND SHOULD NOT BE USED WITHOUT WRITTEN PERMISSION

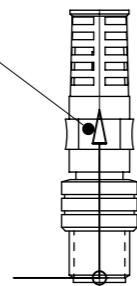
EC DESCRIPTION EC NO: 108385 DRWN: ULETTENMEIER 2016/09/13 CHK'D: APPR: RSILLER 2016/09/14	QUALITY SYMBOLS	GENERAL TOLERANCES (UNLESS SPECIFIED)	DIMENSION UNITS	SCALE	
	$\nabla = 0$ $\nabla = 0$ $\nabla = 0$ $\blacktriangledown = 0$ $\nabla = 0$ $\boxtimes = 0$ $\blacksquare = 0$ $\nabla = 0$	ANGULAR TOL \pm ° 4 PLACES \pm 3 PLACES \pm 2 PLACES \pm 1 PLACE \pm 0 PLACES \pm 0.1 DRAFT WHERE APPLICABLE MUST REMAIN WITHIN DIMENSIONS	MM	1:1	
	DRWN BY	DATE	ULETTENMEIER	2015/02/09	
	CHK'D BY	DATE			
	APPR BY	DATE	RSILLER	2015/11/13	PRODUCT CUSTOMER DRAWING SERIES: 112095 MATERIAL NUMBER: SEE TABLE 1 CUSTOMER: GENERAL MARKET DOCUMENT NUMBER: 1120955087 DOC TYPE: PSD DOC PART: 000 SHEET NUMBER: 2 OF 3
	DRAWING SIZE	THIRD ANGLE PROJECTION	A3		
	REV		A2		



12 IN / 4 OUT IN PRINTING

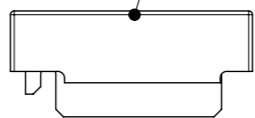
TABLE 1 12 IN / 4 OUT PRINTING					
HARSH SAFETY I/O					3D MODEL NO.
POWER TYPE	KEY TYPE	INPUT/OUTPUT		ENG. NO	
7/8" 5 POLE	M8 KEY	12 IN	4 OUT	TCDEC-8B4P-D1U-G8	1120955129
7/8" 5 POLE	M8 KEY	12 IN	2 BIPOLAR OUT	TCDEC-8B4B-D1U-G8	1120955130
7/8" 5 POLE	WINDOW KEY	12 IN	4 OUT	TCDEC-8B4P-D1U-GW	1120955111
7/8" 5 POLE	WINDOW KEY	12 IN	2 BIPOLAR OUT	TCDEC-8B4B-D1U-GW	1120955112
1120955091 (PDM)					
7/8" 4 POLE	M8 KEY	12 IN	4 OUT	TCDEC-8B4P-DYU-G8	1120955127
7/8" 4 POLE	M8 KEY	12 IN	2 BIPOLAR OUT	TCDEC-8B4B-DYU-G8	1120955128
7/8" 4 POLE	WINDOW KEY	12 IN	4 OUT	TCDEC-8B4P-DYU-GW	1120955107
7/8" 4 POLE	WINDOW KEY	12 IN	2 BIPOLAR OUT	TCDEC-8B4B-DYU-GW	1120955108
1120955087 (PDM)					

M8 KEY SEE TABLE 1



SCALE 1:1

WINDOW KEY SEE TABLE 1



SCALE 2:1

THIS DRAWING CONTAINS INFORMATION THAT IS PROPRIETARY TO MOLEX INCORPORATED AND SHOULD NOT BE USED WITHOUT WRITTEN PERMISSION

EC DESCRIPTION EC NO: 108385 DRWN: ULETTENMEIER 2016/09/13 CHK'D: APPR: RSILLER 2016/09/14	QUALITY SYMBOLS	GENERAL TOLERANCES (UNLESS SPECIFIED)	DIMENSION UNITS	SCALE	
	▽ = 0 ▽ = 0 ▽ = 0 ▽ = 0 ▽ = 0 ▽ = 0 ▽ = 0 ▽ = 0	ANGULAR TOL ± ° 4 PLACES ± 3 PLACES ± 2 PLACES ± 1 PLACE ± 0 PLACES ± 0.1	MM	1:1	
	DRAFT WHERE APPLICABLE MUST REMAIN WITHIN DIMENSIONS	DRWN BY: ULETTENMEIER DATE: 2015/02/09 CHK'D BY: DATE: APPR BY: RSILLER DATE: 2015/11/13	PRODUCT CUSTOMER DRAWING		
	A2 REV	A3 THIRD ANGLE PROJECTION	SERIES: 112095 MATERIAL NUMBER: SEE TABLE 1 CUSTOMER: GENERAL MARKET	DOCUMENT NUMBER: 1120955087 DOC TYPE: PSD DOC PART: 000 SHEET NUMBER: 3 OF 3	